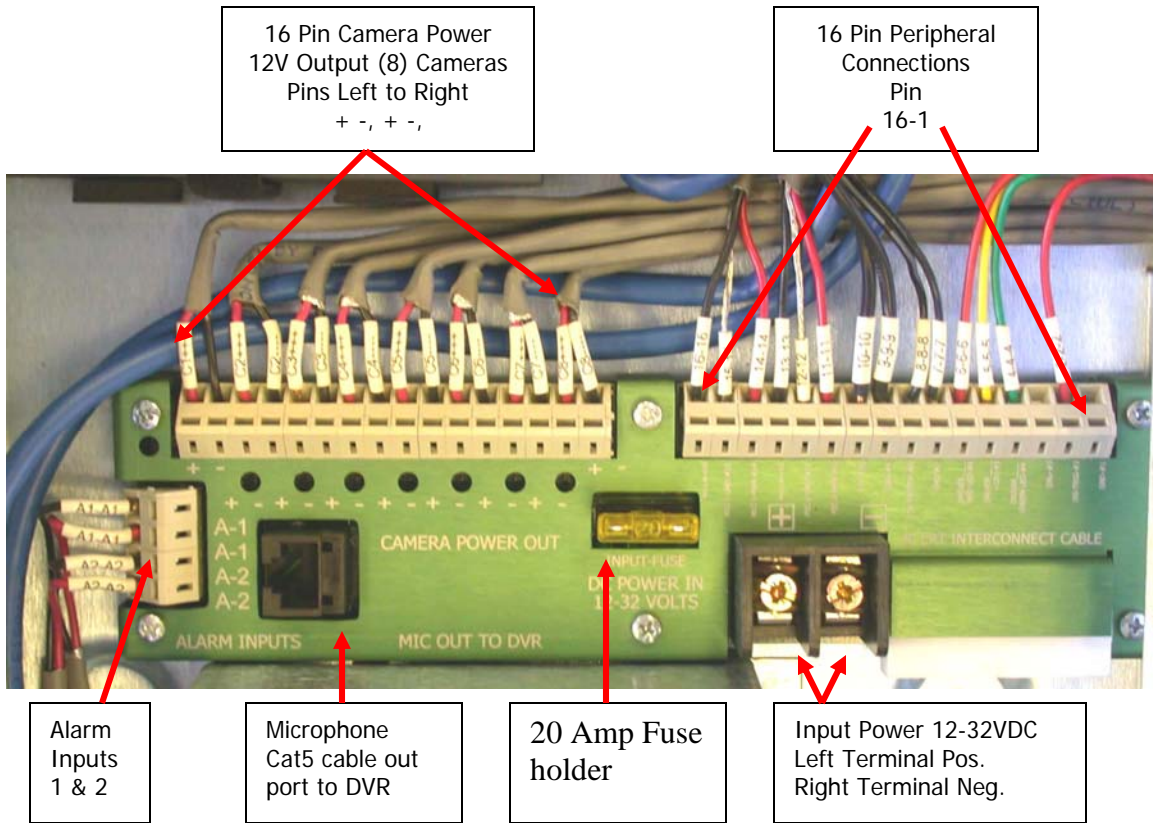




TW4-LB Basement Wiring Diagram



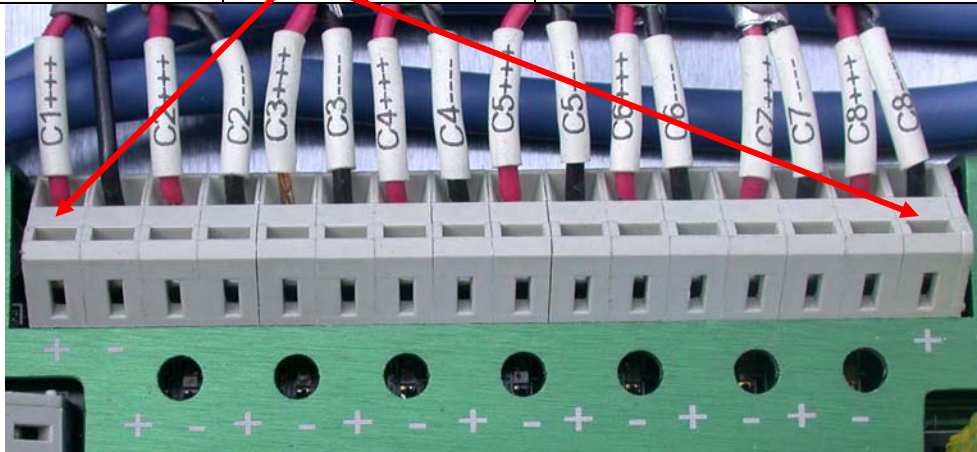
Wiring Installation Table

From left to right:

Cover Description	Pin #	Wiring Name	Function
Mic Out to DVR	N/A	Cat 5 Cable	Connects basement microphone input to DVR
Alarm Inputs			
A-1	1	A1-A1 Blk	Event button input Normally Open
A-1	2	A1-A1 Red	Event button input Normally Open

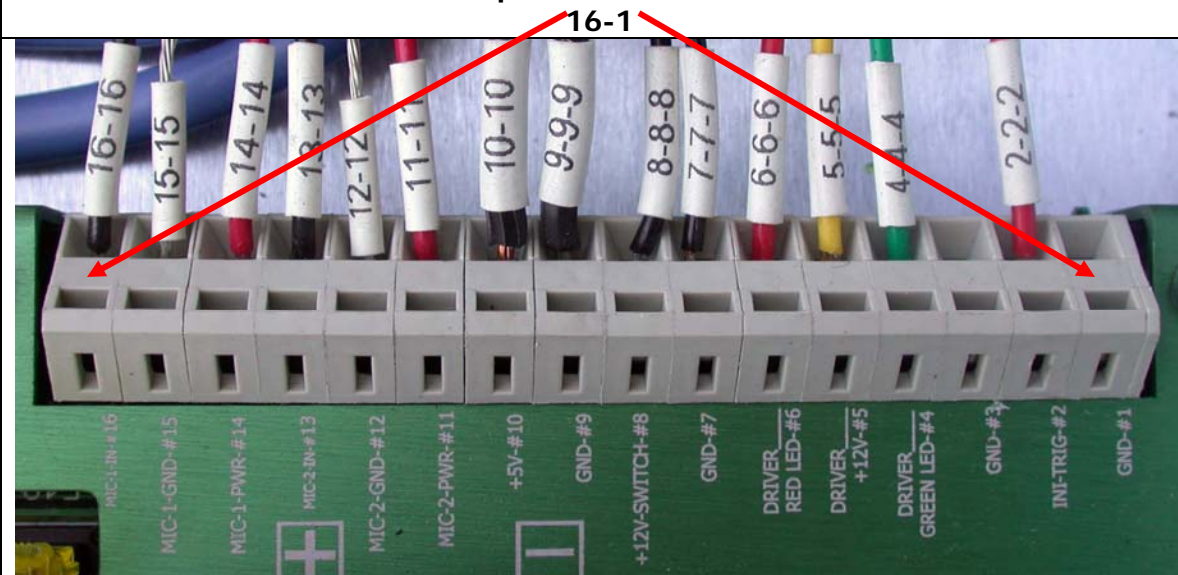
A-2	3	A2-A2 Blk	Second event button input Normally Open
A-2	4	A2-A2 Red	Second event button input Normally Open

16 Pin Camera Power Out Connector	Pin # 1-16	Wiring Name	12V DC camera power output for (8) cameras
-----------------------------------	------------	-------------	--



+	1	C1+++	Camera 1 positive wire
-	2	C1---	Camera 1 negative wire
+	3	C2+++	Camera 2 positive wire
-	4	C2---	Camera 2 negative wire
+	5	C3+++	Camera 3 positive wire
-	6	C3---	Camera 3 negative wire
+	7	C4+++	Camera 4 positive wire
-	8	C4---	Camera 4 negative wire
+	9	C5+++	Camera 5 positive wire
-	10	C5---	Camera 5 negative wire
+	11	C6+++	Camera 6 positive wire
-	12	C6---	Camera 6 negative wire
+	13	C7+++	Camera 7 positive wire
-	14	C7---	Camera 7 negative wire
+	15	C8+++	Camera 8 positive wire
-	16	C8---	Camera 8 negative wire

16 Pin Peripheral Connector Pin #'s



16 Pin Peripheral Connections Label	Pin #	Wiring Label	Function
Mic-1-In #16	16	16-16	Microphone one in (Black)
Mic-1-Grn #15	15	15-15	Microphone one ground (Bare)
Mic-1-Pwr #14	14	14-14	Microphone one power (Red)
Mic-2-In #13	13	13-13	Microphone two in (Black)
Mic-2-Grn #12	12	12-12	Microphone two ground (Bare)
Mic-2-Pwr #11	11	11-11	Microphone two positive power (Red)
+5V #10	10	10-10	5VDC power to Wireless Bridge
GRN	9	9-9	Ground wire for Wireless Bridge
+12V-Switch #8	8	8-8	12v power to Switch
GRN #7	7	7-7	Ground wire for Switch
Driver Red LED-#6	6	6-6	Red LED wire LED input
Driver 12V-#5	5	5-5	12v power for remote LED
Driver Green-#4	4	4-4	Green wire LED input
GRN-#3	3		Ground available
INI-Trigger	2	2-2	Ignition trigger source 12-28VDC
GRN #1	1		Ground available
Label	Pin #		Function
20 CRT Interconnect Cable	N/A	20 pin cable	20 pin Connector cable connects basement peripheral's to DVR
DC Power IN 12-32V	Screw Terminal	+	Main Power Positive input 12-32V DC
DC Power IN	Screw Terminal	-	Main Power Negative input
Input-Fuse	N/A	N/A	20 Amp fuse holder

Peripheral Basement Connections

The TSS TW4 basement is used to mount the TW4-LB recorder and provide the location for wiring termination board, wireless bridge, 5-port switch, UPS battery.

